

Company Introduction

February, 2021





Affiliate of the KISWIRE group

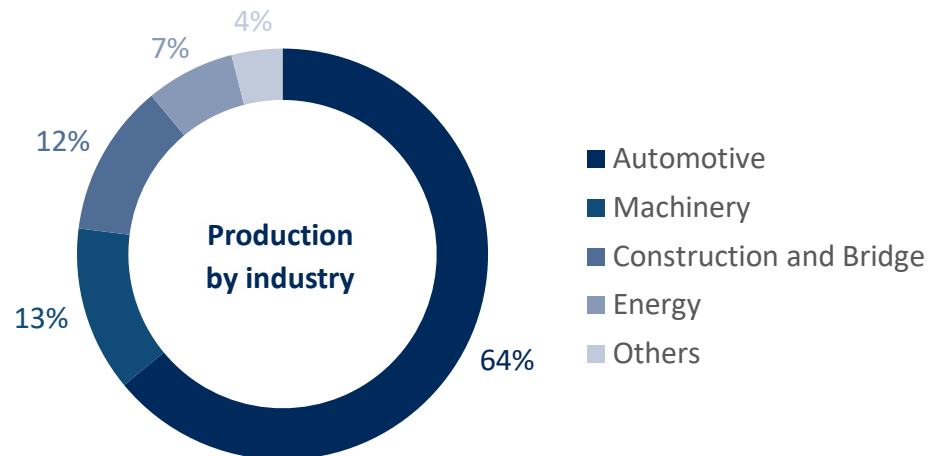
- ▶ **Establishment** K LAB CO.,LTD (Jan. 2016)
- ▶ **Head Office** Daejeon, Republic of Korea
- ▶ **Number of Employees** 29
- ▶ **Core Business** Manufacturing industry for measuring instruments
- ▶ **Products**
 - UV-Vis Spectrophotometers
 - Microvolume Spectrophotometers
 - Handheld Spectrophotometers



Global Specialty Steel Wire Company

Founded in 1945, KISWIRE manufactures specialty steel wire products for a diverse range of industries including automotive, bridge, energy, construction and electronics. KISWIRE exports to customers in over 80 countries.

Establishment	Headquarters	# of Export Countries
1945.9.22	Busan, Korea	80
Annual Total Production Capacity	Worldwide Employees	Overseas Sales
1,200,000t	6,000	70%
Revenue (2019.12.)	Credit Rating	
\$1.92 billion	A+ (Korea Enterprise Data)	



Management Philosophy

Creativity
Trust
Perseverance
Internal Efficiency

Creativity, trust, perseverance and internal efficiency have been the cornerstones of KISWIRE 's success since its founding. KISWIRE will continue to embody this management philosophy in our conduct.

Management Principles

Competitiveness
Globalization
Rewarding Workplace
Reliable Brand

KISWIRE will remain competitive through technological and cost leadership, achieving growth together with our customers, creating a rewarding workplace for our employees, and building the most trusted brand that customers can rely on.

KISWIRE Products



- Wire Rope
- PC Wire & Strand
- Bead Wire / Steel Cord / Hose Wire
- Spring Wire / Flat & Shaped Wire
- Control Cable
- Sawing Wire
- Electrical Wire / Superconducting Wire

PRODUCTS BY INDUSTRY

- Automotive & Movement
- Tire & Performance
- Bridge & Connection
- Construction & Building
- Oil & Natural Resources
- Renewable Energy & Sustainability
- Renewable Energy & Sustainability
- Lifting & Transportation
- Electricity & Communication
- Healthcare & Diagnosis
- Machinery & Operation
- Harvest & Protection

KISWIRE GLOBAL NETWORK

OFFICE

15

FACTORY

39

R&D
CENTER

3

TRAINING
CENTER

2

SERVICE
CENTER

6

KOREA

BUSAN, SEOUL, ANSAN, DAEJEON, YANGSAN, POHANG, GEONGJU, ULSAN, HAMAN, CHANGWON, GEOCHANG

CHINA

QINGDAO, SHANGHAI, RONGCHENG, NANTONG, DONGUAN, HONGKONG

MALAYSIA

JOHOR BAHU, PASIR GUDANG

VIETNAM

HO CHI MINH

SINGAPORE

SINGAPORE

THAILAND

BANGKOK, CHONBURI

INDONESIA

JAKARTA

INDIA

CHENNAI

JAPAN

OSAKA, TOKYO, OKAYAMA

USA

ATLANTA (GA), PINE BLUFF (AR), NEWBERRY (SC)

LUXEMBOURG

BETTEMBOURG

HUNGARY

SZENTGOTTHÁRD

CZECH REPUBLIC

ZATEC

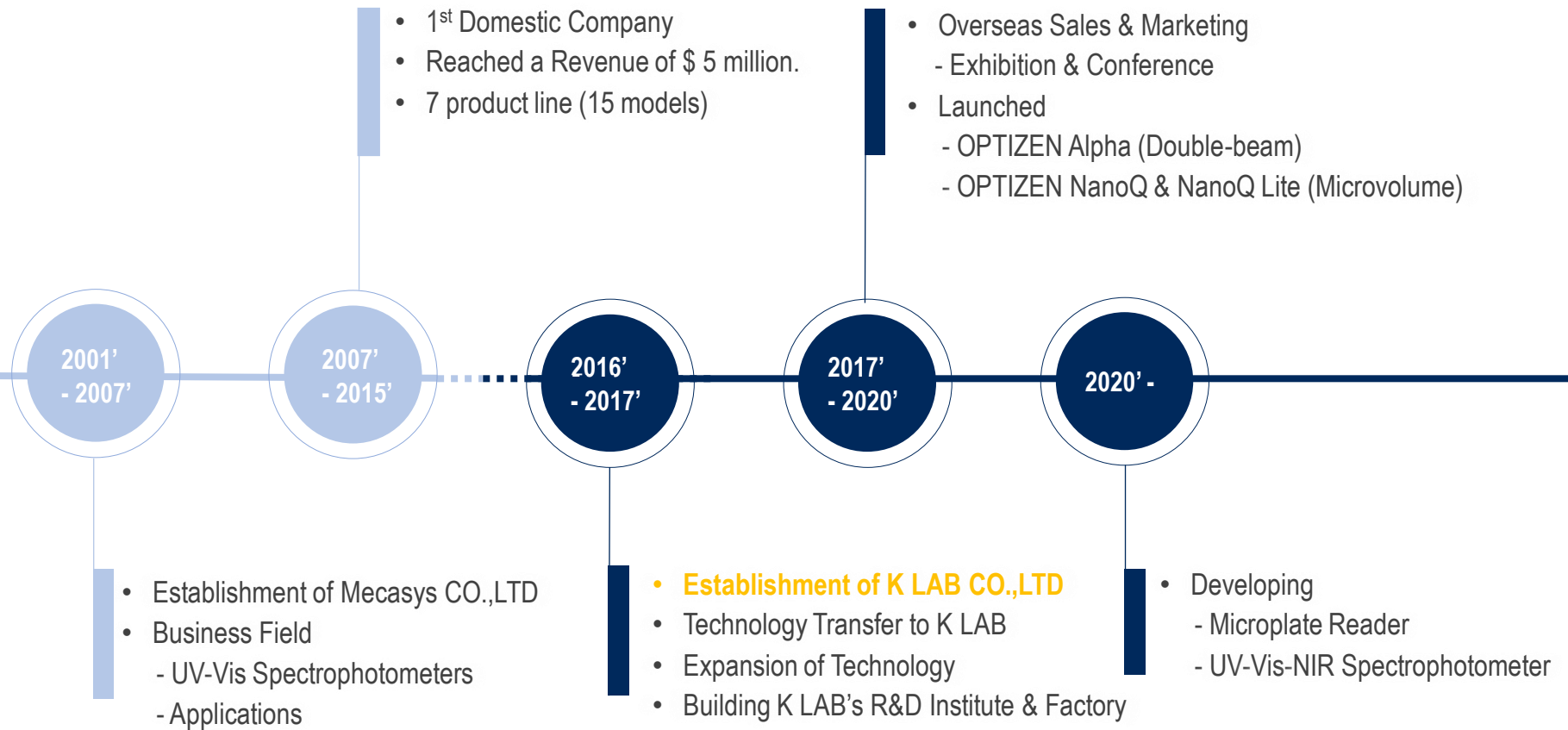
GERMANY

ZWEIBRÜCKEN

SWITZERLAND

ZUG

K LAB's History



“We provide keen innovative solutions through valuable, reliable and accurate products”

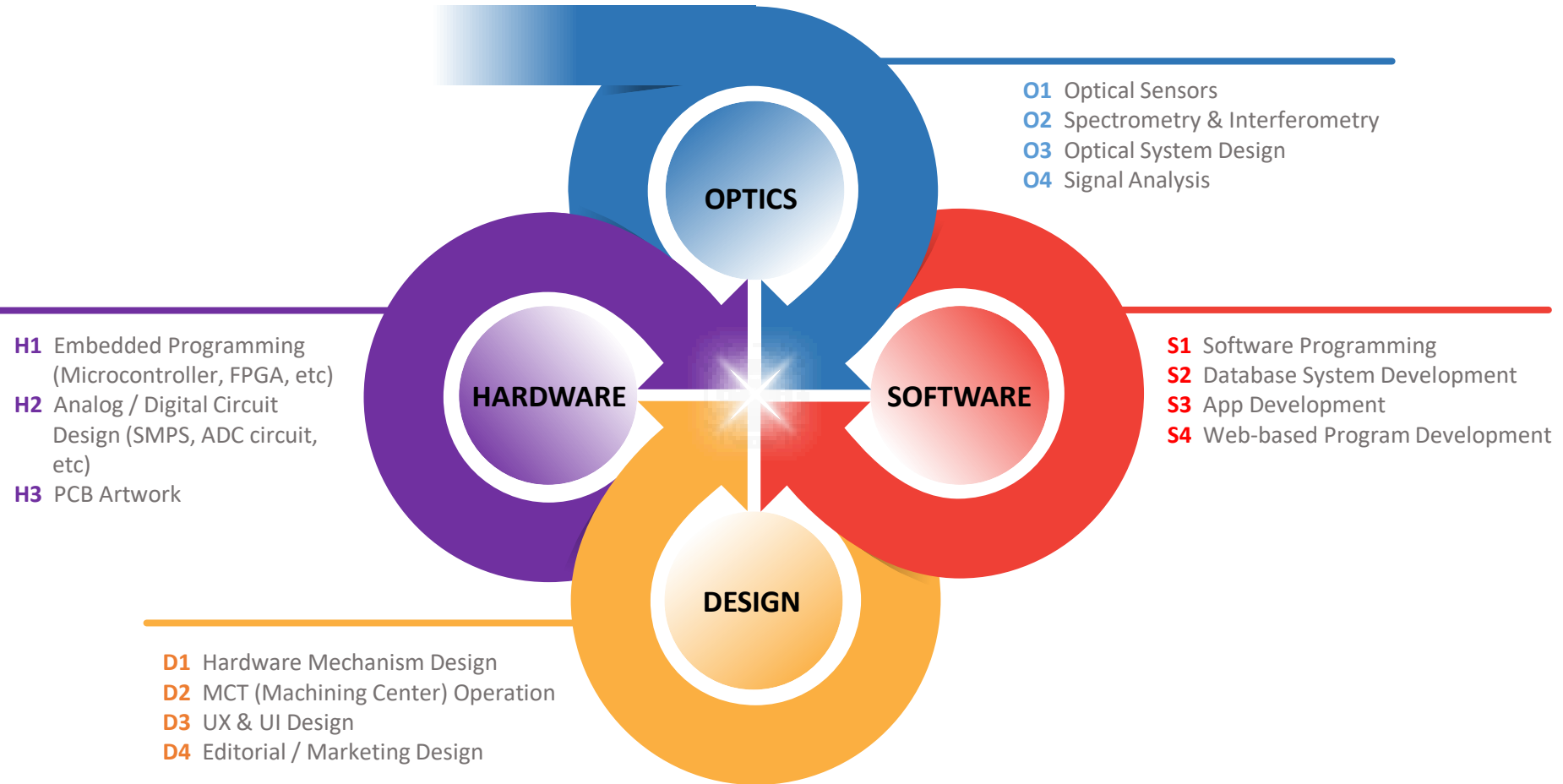


Valuable

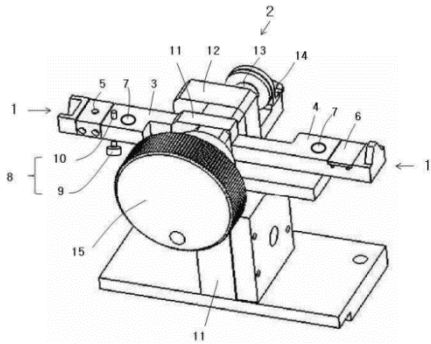
Accurate

Reliable





Patents



Trademark Right

OPTIZEN



Alpha

Double-beam UV-VIS Spectrophotometer



산업통상자원부
신입형상자원부신장

- General Purpose
- High-end spectrophotometer
- Absorbance : 4 Abs

NanoQ Plus

Full-spectrum Microvolume Spectrophotometer



- Bio Analysis (Nucleic Acid, Protein)
- Full spectrum range (190 – 850 nm)

POP series

Single-beam UV-VIS



- General Purpose
- Cost Effective

QX series

Single-beam UV-Vis



- Water analysis
- Compatible with *Hach, Merck's* kits

Alphalook

PDA-type UV-Vis



- General Purpose
- Fast Spectrum Measurement

NanoQ Lite

Microvolume Spectrophotometer



- Bio Analysis (Nucleic Acid, Protein)
- Cost Effective (260, 280, and 600 nm)

MINI

Handheld Spectrophotometer



- Quantitative Analysis
- Portable

ProTec UV

Process Analyzer



- Inline real-time process monitoring
- Compensation of light intensity fluctuations through lamp reference channel
- Provides various line sizes and process connection methods (line size, process connection)
- Wetted materials

ProTec UV Converter

Signal Converter



- Real-time Photometric Converter
- Data log recording for quality control (up to 20,000 data)
- Explosion-proof case (Optional)

MRX A2000

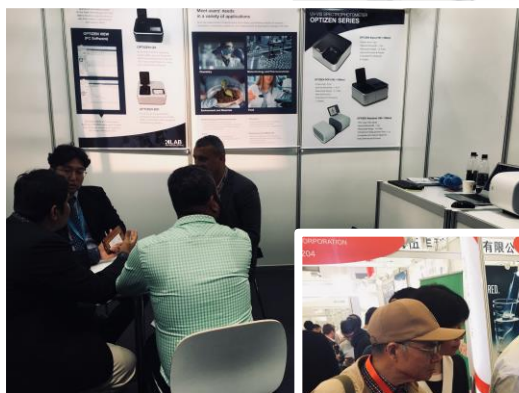
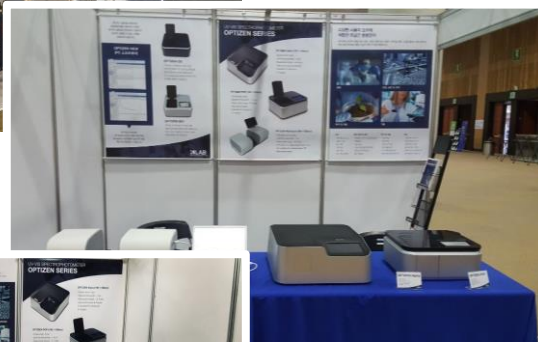
Microplate Reader (Absorbance model)



- The wavelength range of 200 – 999nm is selectable, enabling quantitative analysis of nucleic acids and proteins, ELISA, and microbial growth experiments.
- Various workflows can be applied by providing endpoint, kinetic, spectral scanning, and well area scanning modes
- Compatible with 6 – 384 well plates
- Temperature-sensitive assays can be performed through temperature control up to 65°C and water vapor condensation control.
- Shaking: Linear, orbital and double orbital
- *Nucleic acid quantitative analysis is possible without dilution by using Micro-Volume Plates accessory
- *Control through tablet PC
- *Measurement through cuvette port (optional)

**to be released in the second half of 2021*

Marketing & Exhibition (2018)





April 16-19, 2019 | KINTEX 1 | Goyang-si, **KOREA**
The 13th Korea Int'l Laboratory, Analytical Equipment and Biotechnology Exhibition



October 16-18, 2019 | Changwon Exhibition Convention Center, Changwon, **KOREA**
The 124th Conference of Korean Chemical Society



March 12-14, 2019 | Dubai International Convention & Exhibition Centre | **Dubai**
The World of Science and Analytics



analytica Vietnam



April 3-5, 2019 | Saigon Exhibition & Convention Center | **Ho Chi Minh City**
6th International Trade Fair for Laboratory Technology, Analysis, Biotechnology and Diagnostics



**Beijing Conference and Exhibition
on Instrumental Analysis**



October 23-26, 2019 | Beijing International Convention Center | **Beijing**
The 18th Beijing Conference and Exhibition on Instrumental, Analysis

Reference List

Government Office & Public Enterprise



Ministry of National Defense
Republic of Korea



Rural Development Administration
National Institute of Agricultural Sciences



KEPCO
KOREA ELECTRIC POWER CORPORATION



한국생명공학연구원
Korea Research Institute of Bioscience and Biotechnology



KIST
Korea Institute of Science and Technology



KRICT
Korea Research Institute of Chemical Technology



KITECH
Korea Institute of Industrial Technology

Industry



SAMSUNG
ELECTRONICS

SAMSUNG
BIOLOGICS



LG Electronics



LG Chem



life.love.
LION



DOOSAN



HITEJINRO

Humedix

University



SEOUL
NATIONAL
UNIVERSITY

KAIST

POSTECH
POHANG UNIVERSITY OF SCIENCE AND TECHNOLOGY

KOREA
UNIVERSITY



SUNG KYUN KWAN
UNIVERSITY



YONSEI
UNIVERSITY



HANYANG UNIVERSITY



경희대학교
KYUNG HEE UNIVERSITY



부산대학교
PUSAN NATIONAL UNIVERSITY

CNU
충남대학교
CHUNGNAM NATIONAL UNIVERSITY



INHA UNIVERSITY



KONKUK
UNIVERSITY



ULSAN NATIONAL INSTITUTE OF
SCIENCE AND TECHNOLOGY

K LAB's Building





THANK YOU



Address 94-23, Techno 2-ro, Yuseong-gu, Daejeon, Korea

Contact Tel: +82 . 42 . 932 . 7586, Fax: +82 . 42 . 932 . 7589